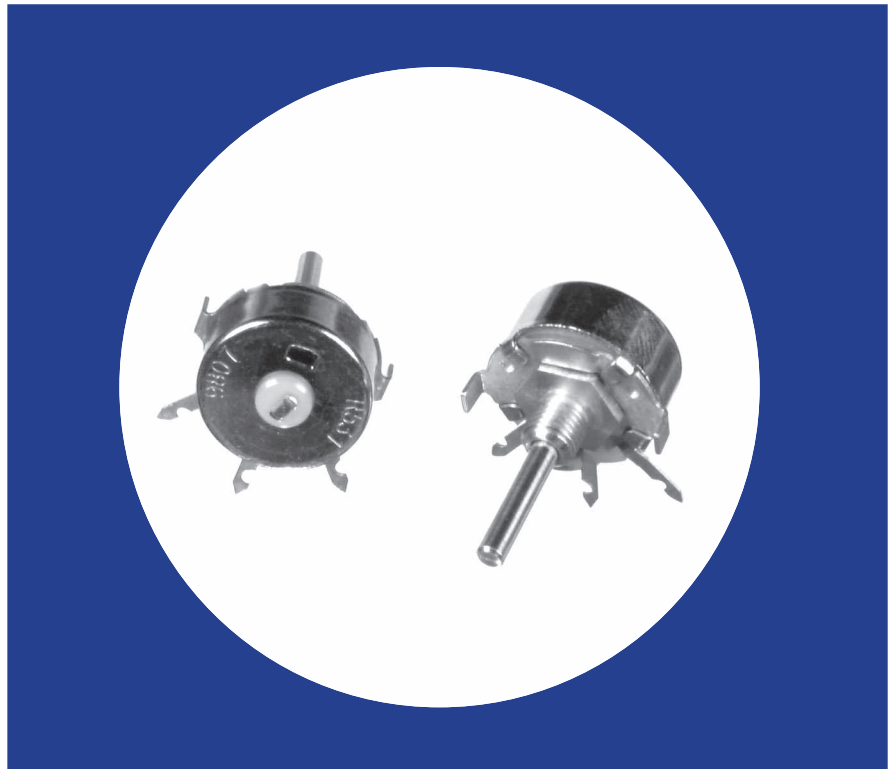


Commercial 3/4" (19.1mm) Diameter, 2-Watt, Wirewound Variable Resistors

Features

- Fully enclosed construction
- Long rotation life
- Optional grounded or insulated rotor construction
- Incorporated fixed resistor available
- Available with nylon shaft
- Bushing mounting style
- RoHS compliant



Electrical and Mechanical Specifications

Resistance Range

1 ohm through 20,000 ohms (linear taper)

Resistance Tolerance

Standard: $\pm 20\%$

Special: $\pm 10\%$

Power Rating, Watts

2 watts @ 55°C derated to no load @ 105°C,
linear taper, bushing mounted control on
steel panel 4"x4" x .050"
(101.6mm x 101.6mm x 1.27mm).

Voltage Rating

Terminals to mounting surface (insulated types only):

High pot test, one minute — 900 VAC

Operating Maximum — 500 VDC

Across end terminals:

Determined by resistance value and
wattage rating

Resistance Tapers

Standard: Linear

Taps Available

None

Incorporated Fixed Resistor

A fixed resistor can be incorporated at the end
of CW or CCW rotation to a minimum of 15% of
the total resistance value. The rotation is
shortened by an amount proportional to the ratio
of the fixed resistor to the total resistance value.

Angle of Rotation

Total Rotation: $270^\circ \pm 5^\circ$

Rotational Torque

Turning Torque: 1/2 to 10 in-oz. (36-720 gf-cm)

Stop Strength

4 in-oz. (4.61 Kgf-cm)

Electrical and Mechanical Specifications

Terminal Information

Insulated Construction (Standard)

The contactor is insulated from the base and connected to the center terminal on the insulated construction. This construction can be supplied with the center terminal and one end terminal at either end of the resistance element or with the center terminal and terminals at both ends of the resistance element.

Grounded Construction (Optional)

The grounded construction is supplied without a center terminal and the contactor is connected to the case. This construction can be furnished with one end terminal at either end of the resistance element or with terminals at both ends of the element.

Bushing Information

Standard: 3/8"-32 UNEF-2A thread, .375" (9.53mm) or .250" (6.35mm) long. M9 x 0.75 available.

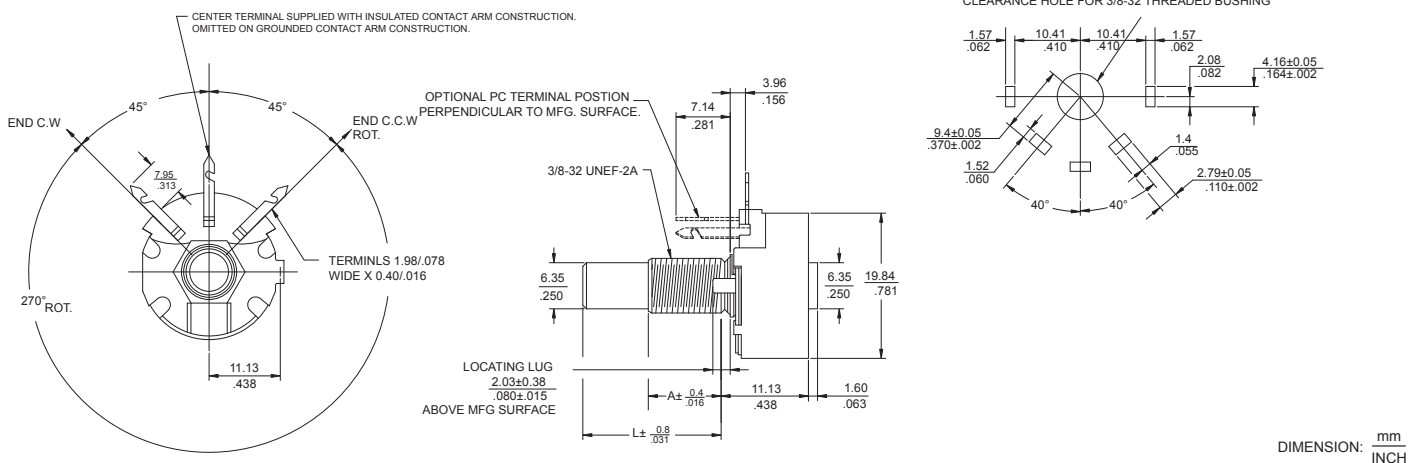
Special: As required in increments of 1/16" (1.58mm)

Locating Lugs

Standard Position: Left side (with terminals down) supplied, unless otherwise specified.

Other Positions: Available with right side only, both left and right, or without lugs.

CTS SERIES TYPE 118



Ordering Information

